

Rockwell hardness testing portal

Developed for large and heavy test pieces

- Includes manually positioned sledge for convenient test table loading by crane
- Laser pointer used to determine the test point
- Test unit with electronic load application for all Rockwell
- Test method according to EN ISO 6508, ASTM E-18
- Test load range 1 - 250 kg (9,81 - 2450 N)



Rockwell DIN EN ISO 6508, ASTM E-18

HRA - HRV	HR 15-N/T/W/X/Y
HR 30-N/T/W/X/Y	HR 45-N/T/W/X/Y



Brinell DIN EN ISO 6506, ASTM E-10

HBT (не соотв. стандартам)

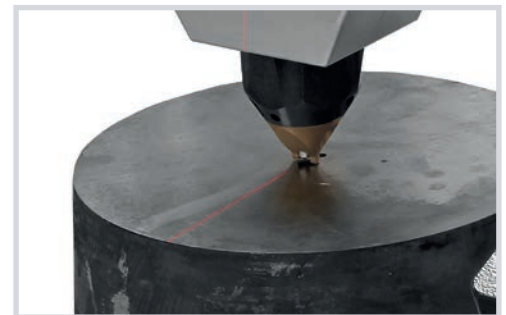
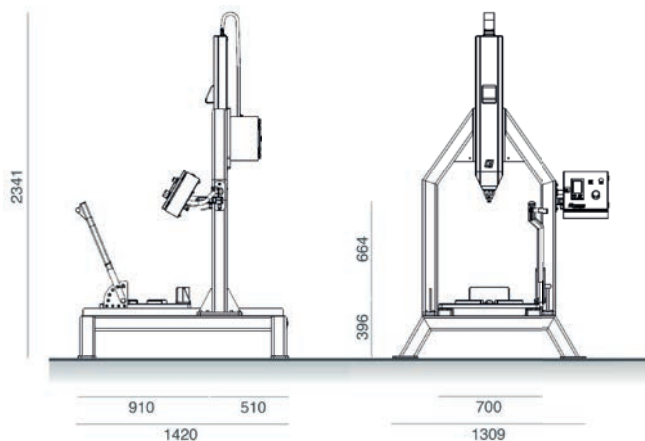


Vickers DIN EN ISO 6507, ASTM E-384, ASTM E-92

HVT (не соотв. стандартам)

Conversion

DIN EN ISO 18265, DIN EN ISO 50150, ASTM E140



Laser pointer to determine test point

Qsolution ROCKWELL HARDNESS TESTING PORTAL

Work piece size	Ø max 500mm / Hmax 650mm
Work piece weight	max. 400 kg
Machine size	1420x1310x2350 (LxBxH)
Machine weight	550 kg
Travel range - Z axis	450 mm
Travel range - Y axis	510 mm
Speed - Z axis	max. 6 mm/s
Software	Qpix T4
Interface	1x USB-A, 1x USB-B
Voltage supply	230 V
Max. power intake	90 W